

# twinFOLD KAT



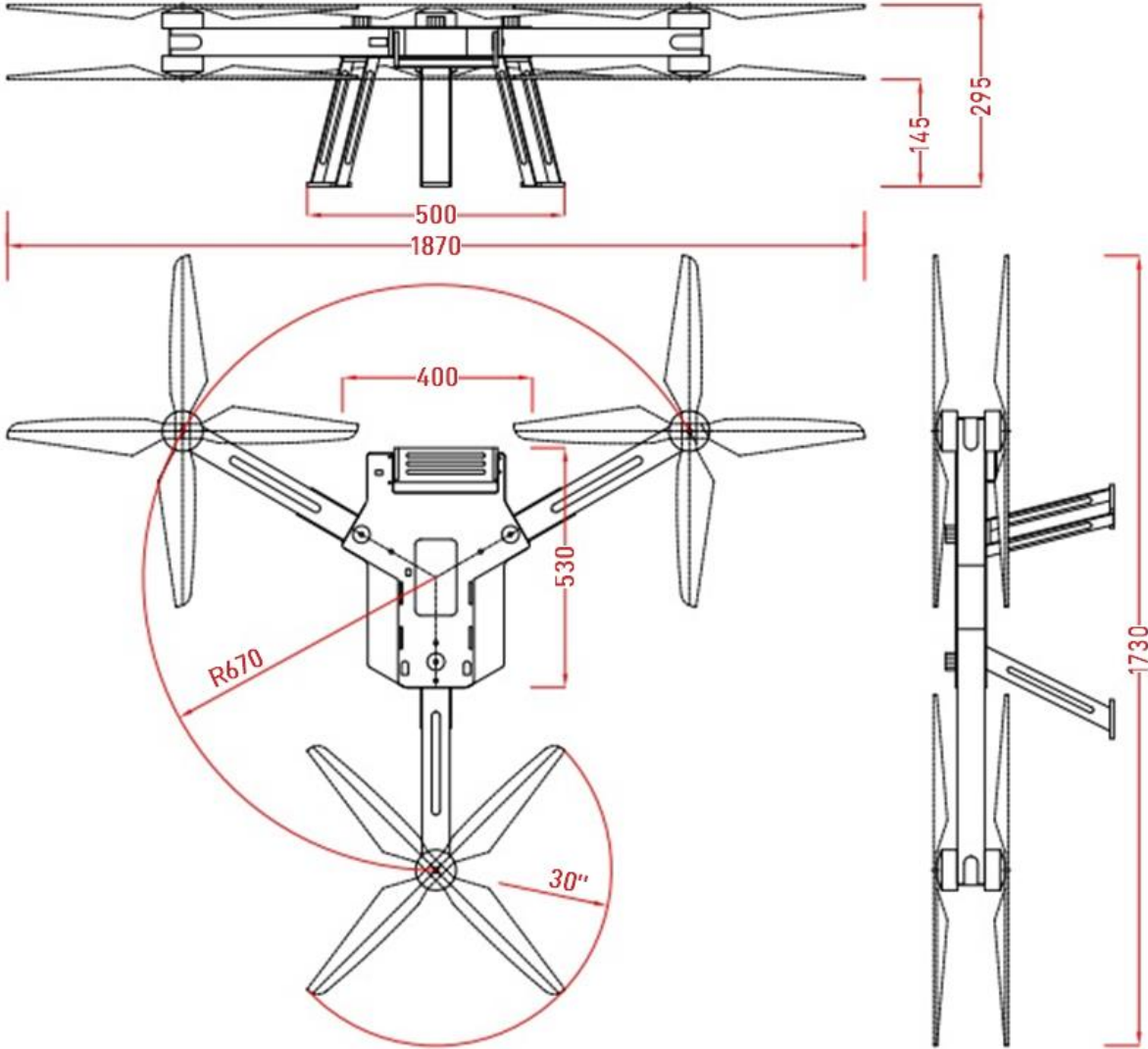
## Registration options

Category SPECIFIC (only Austria)    Standard scenario 3

## Technical Data

Maximum take off weight (MTOW)	12.000g
Maximum payload	5.500g (incl. batteries)
Maneuverability	Bank of max. 20° (Aerobatics are forbidden)
Maximum speed	Horizontal: 7m/s, vertical: 5m/s
Maximum altitude (MSL)	3.000m
Flight time	Average 35min Maximum 45min Dependent on temperature, payload, altitude and batteries
Maximum wind speed	6m/s laminar flow
Operating temperature	Ideal: 18 - 40°C, with battery pre-heating up to -20°C
Redundancy	Optional
Systems	<p>Default configuration (mounted on servo gimbal):</p> <ul style="list-style-type: none"> <li>- Sony Alpha 6000 system camera</li> <li>- FLIR Duo Pro thermal imaging camera</li> <li>- 7000 Lux LED searchlight</li> </ul> <p>Optional:</p> <ul style="list-style-type: none"> <li>- FLARM traffic awareness and collision avoidance system</li> </ul>

# Dimensions (mm)



twins GmbH, Häusern 13, AT - 6070 Ampass

No liability assumed for accuracy or completeness of the data given.