

# twinFOLD GEO



## Registration options

Category SPECIFIC (only Austria)    Standard scenario 4

## Technical Data

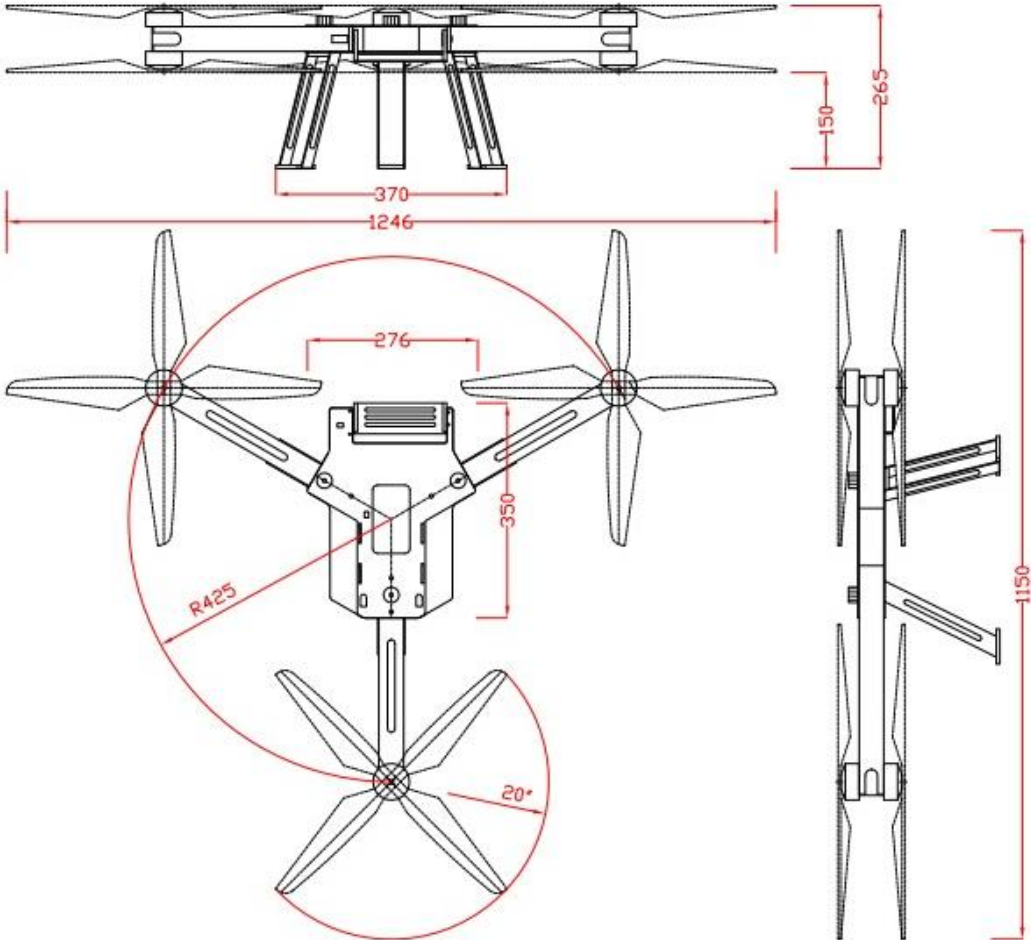
Maximum take-off weight (MTOW)	5.000g
Maximum payload	1.650g (incl. battery)
Maneuverability	Bank of max. 30° (Aerobatics are forbidden)
Maximum speed	Horizontal: 10m/s, vertical: 5m/s
Maximum altitude (MSL)	3.000m
Flight time	Average 20min Maximum 30min Dependent on temperature, payload, altitude and batteries
Maximum wind speed	7m/s laminar flow
Operating temperature	Ideal: 18 - 40°C, with battery pre-heating up to -20°C
Redundancy	optional
Systems	2D Brushless Motor Gimbal: - 24MP aerial camera 1D Servo Gimbal: - 24MP/36MP aerial camera or - Sony Alpha 6000/Ricoh GR11 system camera



twins GmbH, Häusern 13, AT - 6070 Ampass

No liability assumed for accuracy or completeness of the data given.

# Dimensions (mm)



twins GmbH, Häusern 13, AT - 6070 Ampass

No liability assumed for accuracy or completeness of the data given.