

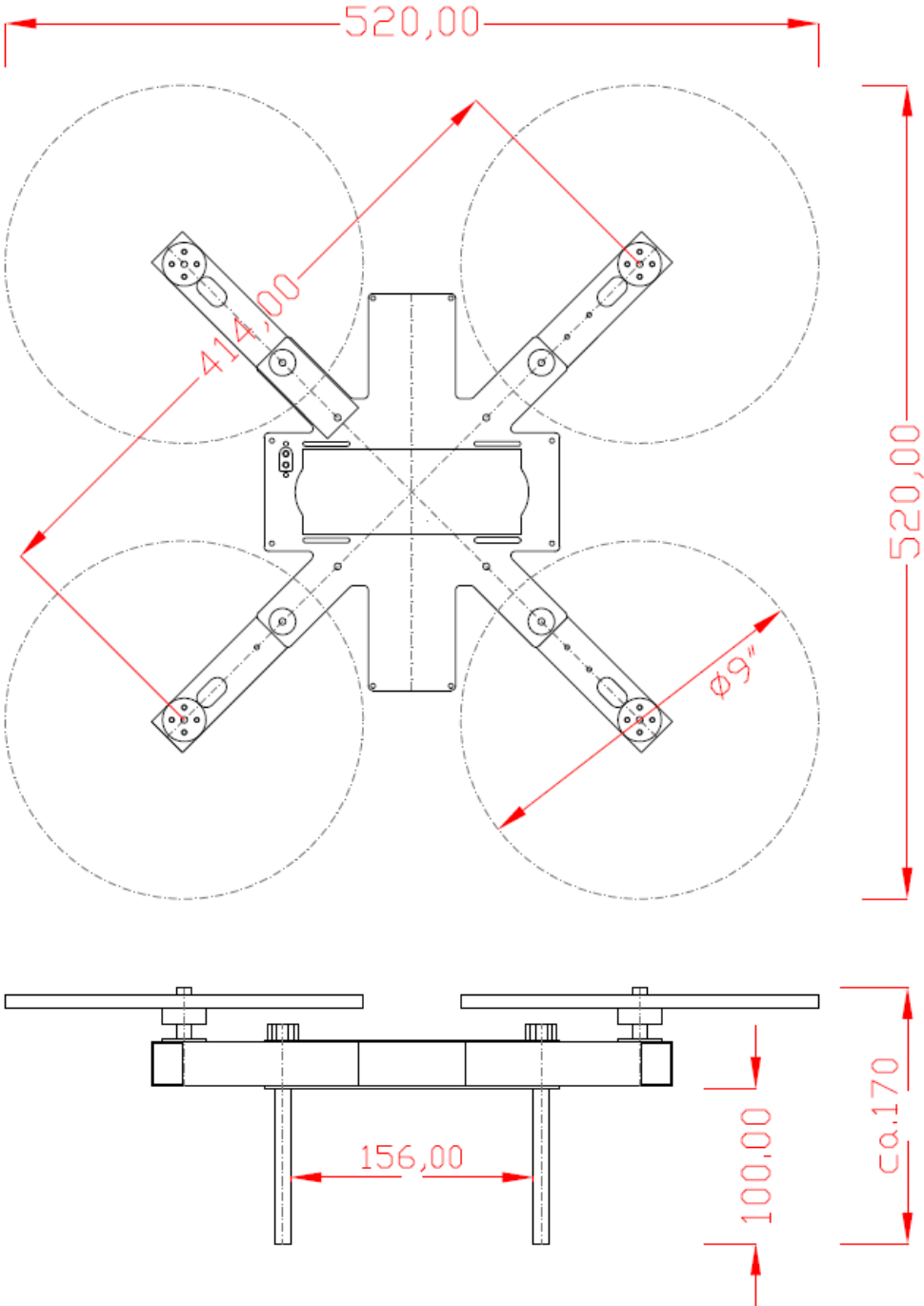
twinFOLD SCIENCE



Technical Data

Maximum take off weight (MTOW)	1.700 g
Maximum payload	800 g (incl. batteries)
Maneuverability	Bank of max. 25° (Aerobatics are forbidden)
Operating mode	Day and night flight
Maximum speed	Horizontal: 10 m/s, vertical: 3 m/s
Service ceiling	3.500 m
Flight time	Average 15 min Maximum 20 min Dependent on temperature, payload, altitude and battery
Maximum wind speed	7 m/s laminar flow
Operating temperature	Ideal: 18 - 40°C, with battery pre-heating up to -20°C
Expansion	Companion board with MAVLINK interface (optional)

Dimensions (mm)



twins GmbH, Häusern 13, AT - 6070 Ampass

No liability for correctness, completeness or mistakes.