

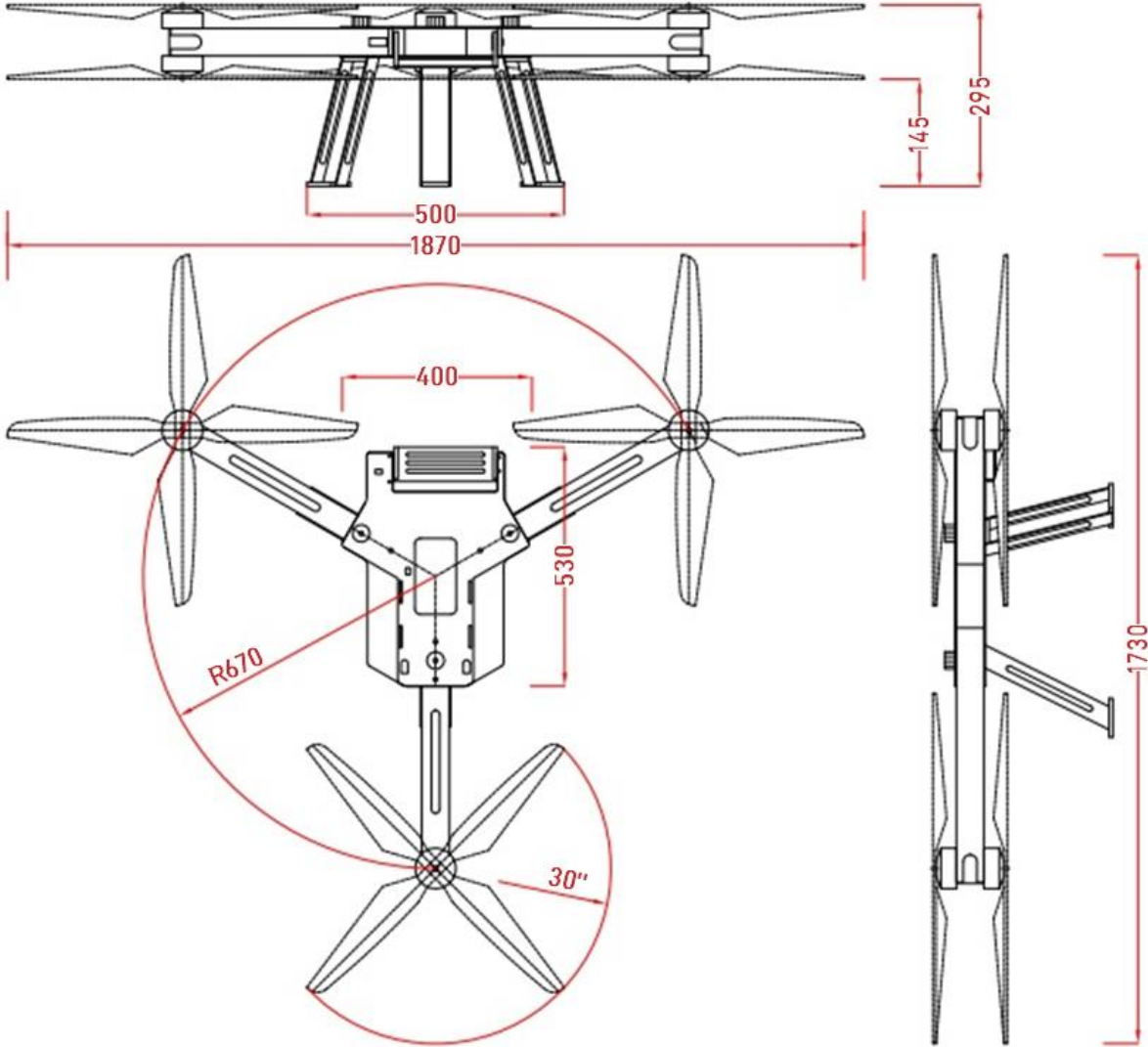
twinFOLD KAT



Technical Data

Maximum take off weight (MTOW)	12.000 g
Maximum payload	5.500 g (incl. batteries)
Maneuverability	Bank of max. 20° (Aerobatics are forbidden)
Operating mode	Day and night flight
Maximum speed	Horizontal: 7 m/s, vertical: 5 m/s
Service ceiling	3.000 m
Flight time	Average 35 min Maximum 45 min Dependent on temperature, payload, altitude and batteries
Maximum wind speed	6 m/s laminar flow
Operating temperature	Ideal: 18 - 40°C, with battery pre-heating up to -20°C
Austrocontrol(ACG) redundancy	Optional
Systems	Default configuration (mounted on servo gimbal): <ul style="list-style-type: none"> - Sony Alpha 6000 system camera - FLIR Duo Pro thermal imaging camera - 7000 Lux LED searchlight Optional: <ul style="list-style-type: none"> - FLARM traffic awareness and collision avoidance system

Dimensions (mm)



twins GmbH, Häusern 13, AT - 6070 Ampass

No liability for correctness, completeness or mistakes.