

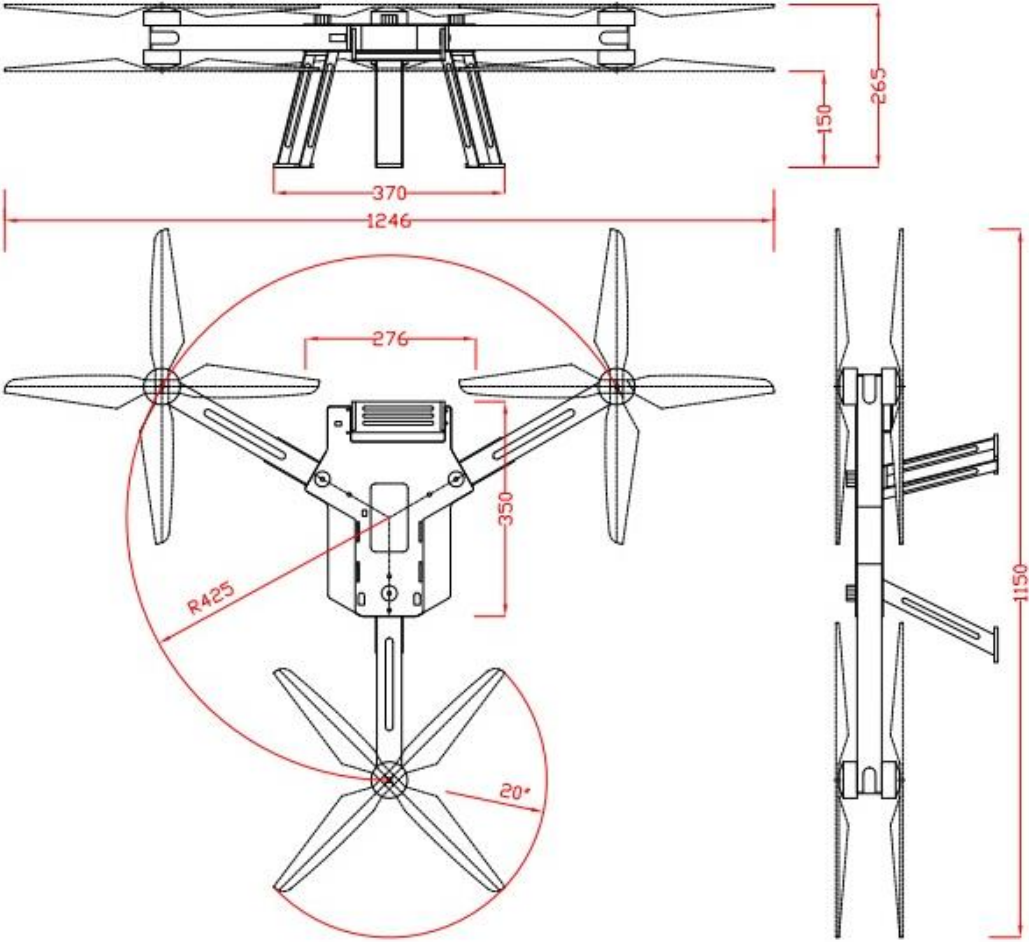
twinFOLD GEO



Technical Data

Maximum take off weight (MTOW)	5.000 g
Maximum payload	1.650 g (incl. battery)
Maneuverability	Bank of max. 30° (Aerobatics are forbidden)
Operating mode	Day and night flight
Maximum speed	Horizontal: 10 m/s, vertical: 5 m/s
Service ceiling	3.000 m
Flight time	Average 20 min Maximum 30 min Dependent on temperature, payload, altitude and batteries
Maximum wind speed	7 m/s laminar flow
Operating temperature	Ideal: 18 - 40°C, with battery pre-heating up to -20°C
Austrocontrol(ACG)-redundancy	optional
Systems	Default configuration mounted on servo gimbal: - Sony Alpha 6000 or Ricoh GR11 system camera

Dimensions (mm)



twins GmbH, Häusern 13, AT - 6070 Ampass

No liability for correctness, completeness or mistakes.